

BAEM4-60BC/MV-A

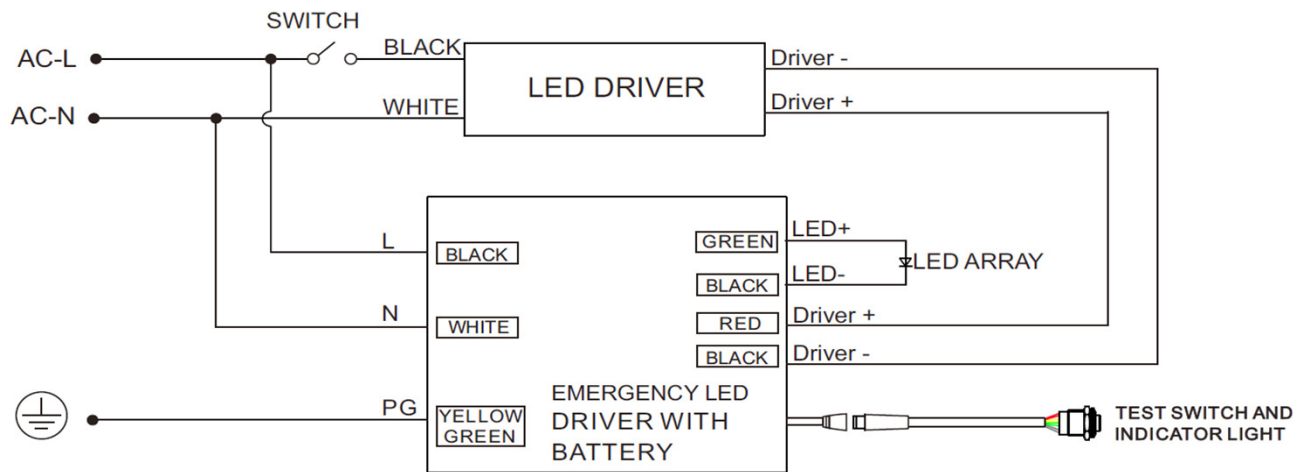


Order Code	7336
Input Voltage	120~277 Vac
Frequency	50/60 Hz
Input Current	100mA Max
Weight	0.38 lbs
Dimension	163.4x40.6x30mm (6.4x1.6x1.2in)

Electrical Characteristics

Output Voltage	10~60 Vdc
Output Current	60mA(@10Vdc) ~ 400mA(@60Vdc)
Output Power	3.9W Max
Charge Current	250mA
Charging Time	≥ 24 Hours Minimum
Discharging Time	90 Minutes Minimum
Operation Environment Temperature	32F ~122F
Battery Life	500 cycles
Primary Application	Indoor, Commercial, Residential
Certifications	UL 924, CEC (BC Mark)

Wiring Diagram



AC LED driver output current cannot exceed 1A or 50W

Cautions & Warnings: Contains Lithium-ion. Rechargeable Battery. Must be recycled or disposed properly.

Warning: To prevent high voltage from being present on LED (-) lead proper to installation, battery pack must be disconnect. Do not connect battery pack until installation is complete and AC power is supplied to the emergency driver.